

**helo**  
REWARD YOURSELF

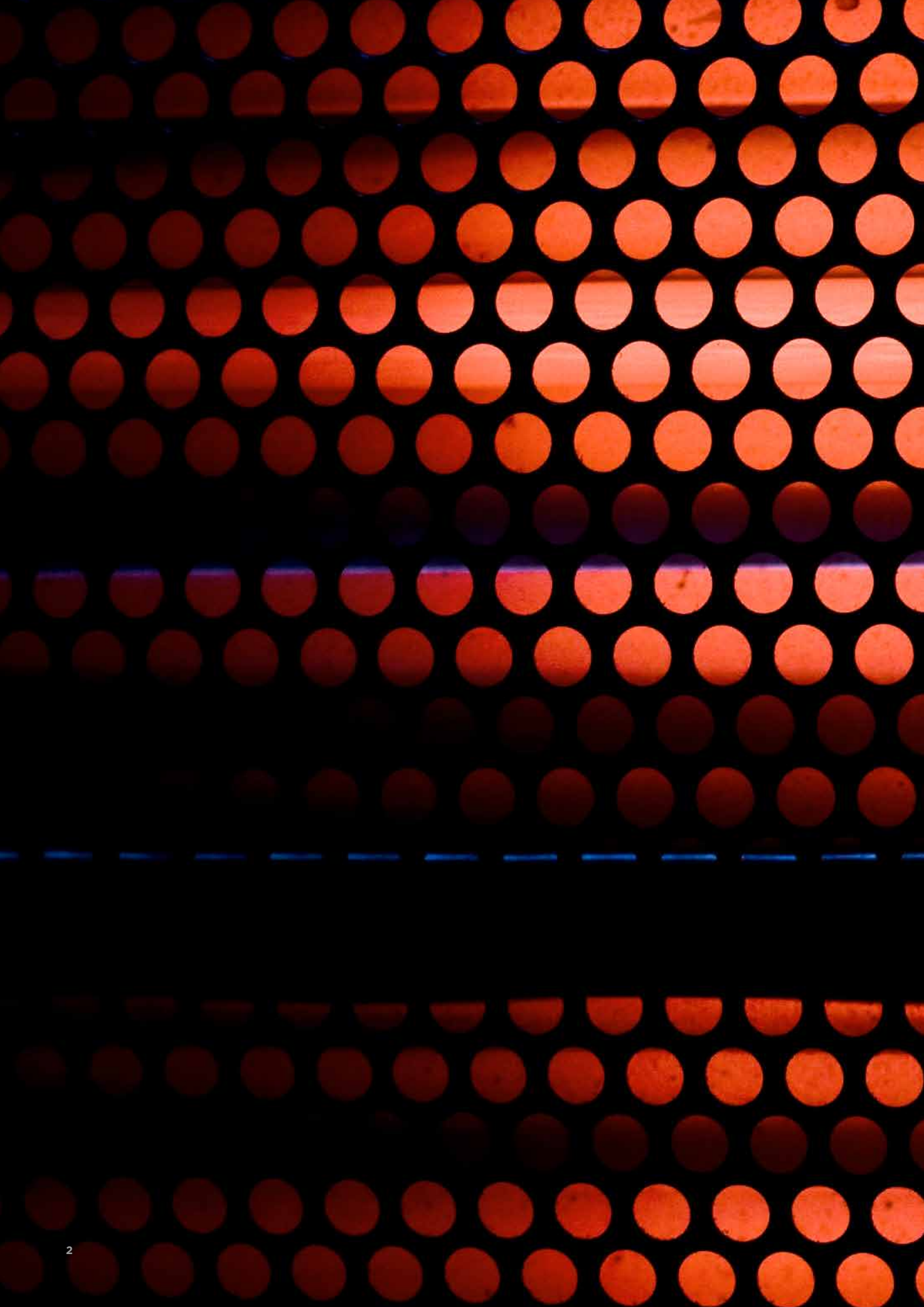
SAUNAS FOR HELOPEOPLE



**heloPeople**

MEET DANIEL, LISA, PEKKA AND SOFIA





---

# CONTENTS

---

Electric  
heaters

09

---

Professional  
heaters

45

---

Control  
units

52

---

Technical  
specifications

57

---



MEET  
SOFIA  
PAGE 10

MEET  
DANIEL  
PAGE 54

# 04 individuals w



**MEET  
LISA**  
PAGE 14

**MEET  
PEKKA**  
PAGE 22

# ith captivating lives



MEET  
DANIEL

MEET  
SOFIA

MEET  
LISA

MEET  
PEKKA

# 04 individual lives

A wise person once said that the best part of life is not just surviving, but thriving with passion, compassion, humour, style and kindness. Living life to the fullest is a truly individualistic pursuit. These are the life stories of Daniel, Sofia, Lisa and Pekka – four individuals from distinctly different walks of life. With a natural high on life, they enjoy the spirit of their Nordic lifestyle to the full.

Although they lead very different lives, Daniel, Sofia, Lisa and Pekka all share a passion for an active lifestyle. Every day they make a choice to pursue and explore their heart's desire, whether in the form of sports, aesthetics, relationships or business. Getting the most out of life is an art form, and it takes ambition, guts and stamina. Making the right choices is the key to a happy, successful life.



Staying on top of the game and living life to the full requires a balanced state of mind. Setting aside personal time for reflection and renewal is a key part of their everyday routine - and one passion that all four have in common is the daily ritual of a soothing hot sauna. Here they can unwind and truly be themselves in preparation for meeting the challenges of a brand new day.

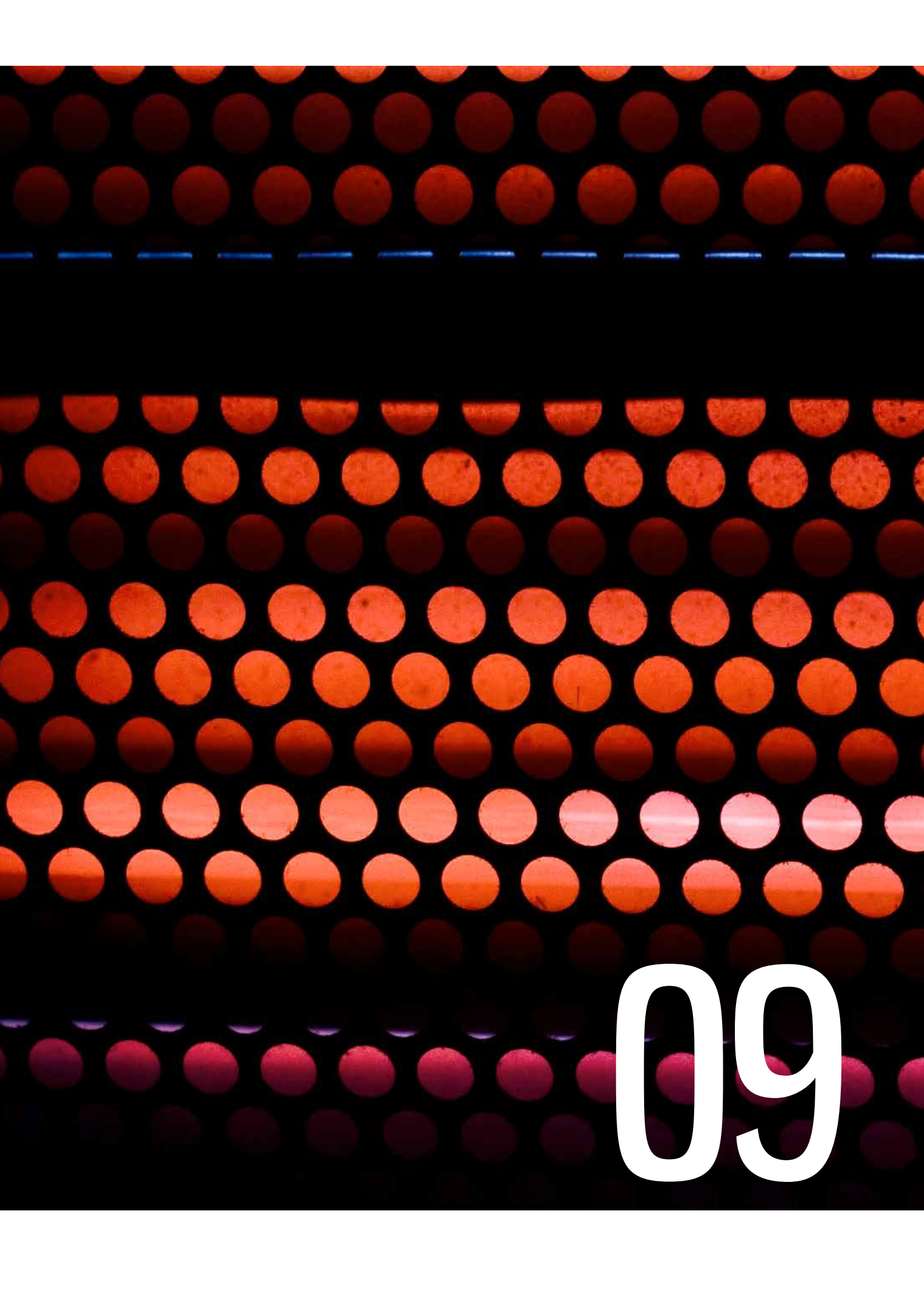


# electric heaters

Quality craftsmanship is the signature of genuine Helo electric heaters.

A fusion of tradition and modern technology, they offer trouble-free performance in a range of aesthetically striking designs. Choose from a wide range of models. There is an option for every taste and sauna room, each offering a unique expression of the genuine sauna experience.





09



MEET SOFIA

# My life. Making it rock.

“I want my life to capture me – my senses, my emotions, my passions. That’s why I choose to lead a life on the go. My enthusiasm and curiosity constantly inspire me to broaden my horizons, grab life by the horns and ride it. Hard! For me, the cheerful appeal of bold red Fonda was love at first sight. And as with every great love affair, it makes me slow down, stop and smell the roses.”

FOLLOW SOFIA'S BLOG AT [WWW.HELOSAUNA.COM/SOFIA](http://WWW.HELOSAUNA.COM/SOFIA)

C POSEN  
TICK

D  
FASHION WEEK

MAGNOLIAS



THE WRAP DRESS  
SAUNA

AGSET



# FONDA

The traditional Fonda series is a smart option for fans of Finnish sauna thanks to its large 20 kg rock compartment and powerful output.

**QUICK FACTS:**

- Wall-mounted or floor-standing\*\*, for saunas 4 - 12 m<sup>3</sup>
- Sizes 4.4, 6.6 or 8 kW
- Fonda DET is available in grey or red and Fonda ST in grey only

\*\* Legs may be ordered separately.



## Better comfort by design

Fonda delivers wave after wave of sharp and intense heat to every corner of the room. Choose from two convenient, equally attractive models: Fonda DET with programming and control from either the T1 touchpad or the EC50 control panel, or Fonda ST with integrated control panel.



“In a life of constant change, my getaway is consistent.”



The integrated control panel of Fonda ST.



Easy-to-use T1 independent touchpad control.



The EC50 control panel.

CRABTREE & EVELYN

FAMILY  
RTHA STEWART



MULBERRY



# My life. Making it glow.



VESPA

ROYAL HORTICULTURAL  
ORGA



YOGA

NEW DELHI

TRICIA GUILD



“For many years, I was what you might call ‘a seeker’. Today, my life exhilarates me. How come? Simple! Surrounding myself with the people I love makes me feel at home – wherever I am. Gathering around the Fonda Duo heater – my family’s contemporary campfire – gives us the privilege of simply enjoying one another’s company.”

FOLLOW LISA’S BLOG AT [WWW.HELOSAUNA.COM/LISA](http://WWW.HELOSAUNA.COM/LISA)

ISTANBUL



WHOLE FOODS MARKET



AL SOCIETY  
ANIC PRODUCE



# FONDA DUO

Sometimes you prefer the traditional caress of a soothing heat. Sometimes the gentle cleansing of ultra-soft steam. Now you can have both.

#### QUICK FACTS:

- Wall-mounted or floor-standing\*\*, for saunas 4 – 12 m<sup>3</sup>. Large 20 kg stone compartment for gentle, even heat and steam production
- 2 kW steam generator and integrated water tank with manual filling for maximum convenience
- Supplied with T2 control unit with proximity sensor
- Sizes in 4.4, 6.6 or 8 kW
- Sizes in black

\*\* Legs may be ordered separately.



Wall-mounted

## The caress of steam at the touch of a button

Fonda Duo gives you the luxury of choosing steam or dry heat from the same compact, eye-catching unit. As an added treat, you can pamper yourself by infusing steam with aromas that provide a variety of proven healthful effects — simply add a few drops of Helo Natural Essential Oils to the integrated aroma tray.





“The place my family and I are happiest to be together is in the sauna. In the sauna, we’re all just one big family.”



**EXPLORE YOUR OPTIONS WITH THE T2 CONTROL UNIT**

The T2 electronic touchpad control unit puts powerful planning and control options at your fingertips. With T2 you can preset the heating of your sauna up to 23 hours, ensuring your sauna is ready when you are.



**HELO NATURAL ESSENTIAL OILS**

Add a few drops to water, ladle it over hot sauna stones and let nature’s recipes for treating body, mind and soul wash over you.

# CAVA

With its irresistibly smooth roundness, Cava brings calming harmony to your sauna's atmosphere. Flawless soapstone faces on top and at the front absorb, store and release the heat from the 30 kg of vulcanite stones behind them. This two-stage process ensures consistent levels of perfect warmth and moisture.

## QUICK FACTS:

- Floor-standing for saunas 5 - 13 m<sup>3</sup>
- Sizes 6 or 9 kW
- Stones 30 kg inside, outside soapstone 15 kg
- Optional: soapstone collar for integrating into the benches

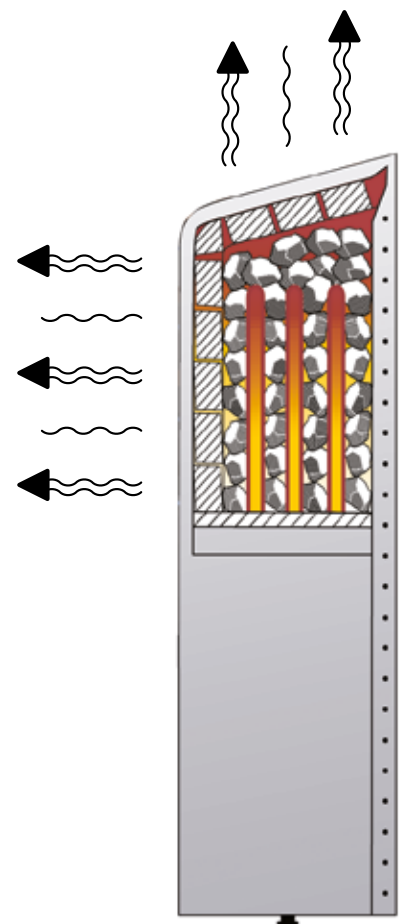


## A climate of calm

Cava's "up and out" heat distribution system quickly sets the perfect climate for a genuine sauna experience. Because natural materials make up so much of its surface, Cava integrates elegantly with its surroundings, letting you take even more



Cava's unique heat distribution quickly produces an even bathing climate throughout the sauna.



#### HEAT RADIATION

Heat radiates from the core of vulcanite stones inside CAVA and is stored in the soapstones above and in front of them. The soapstones release the heat and soft steam evenly both upwards and outwards, producing a perfectly even and pleasant temperature in the sauna.

pleasure in the calm of the setting. With its traditional materials and feel and advanced heat distribution concept, Cava is an ongoing invitation to relax and recharge in genuine style.

# FUSION

Sometimes, you're in the mood for the traditional intensity of a dry sauna. Sometimes, the cleansing touch of soft, billowy steam. Fusion is the heater that lets you have both.

## QUICK FACTS:

- For saunas 5 - 13 m<sup>3</sup>
- Sizes 6, 8 and 9 kW
- Stones 23 kg
- On-line relative humidity control
- 0 - 24 hours preset time
- Preset 23 h, heating time 2, 6, 12, 23 h
- The control panel remembers the previous setting
- Real-time clock
- Automatic drying function, 30 minutes
- Light dimmer
- Stepless ventilator control
- Surface wall mounting only outside of sauna
- Light control





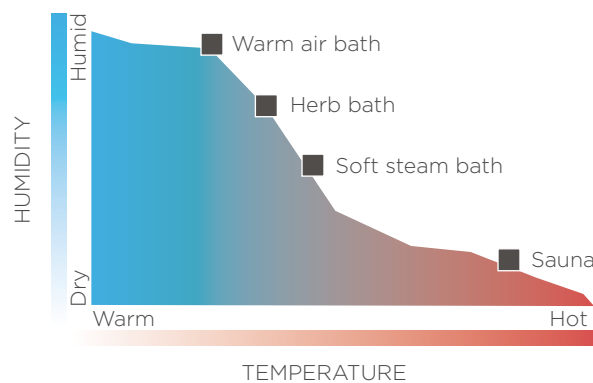
Fusion control



Fusion is the only heater that lets you set exact temperature and humidity levels, and maintain them throughout your sauna.

## Easy does it

With Fusion, deciding which sauna climate you want is the only hard part. Built-in electronic temperature and humidity sensors automatically correct and adjust to provide steady levels throughout your sauna. You can even choose the option of connecting your Fusion heater to the water supply, ensuring the water tank refills automatically. Once you set the temperature and humidity, Fusion automatically takes care of the rest. With Fusion, you get the genuine sauna experience, just as you like it. Fusion comes with a no-fuss control which among other things let you set automatic temperature, humidity and sauna duration.



### ALL SAUNA COMBINATIONS AVAILABLE

A single heater that offers every combination of the sauna experience, from traditionally dry and hot, to pleasantly soft and steamy.



RIVA



BRUNELLO



TOD'S



MONTE

RIMOWA

JULIAN SCHNA  
ART E

ERCEDES E320

# My life. Making it count.

WALT WHITMAN



OBU MATSUHISA



BIRCH

OLD FASHIONED

TINGER



JOHN LOBB

“I’m enormously proud of my Finnish heritage. Quality, sincerity and diligence are characteristics I always look for, in others as well as in myself. Leaving my mark – not necessarily by what I accomplish, but through the man I try to be. Whatever and wherever life brings me, my Saunatonnttu sauna equips me for it. It makes me feel strong and ready.”

FOLLOW PEKKA'S BLOG AT [WWW.HELOSAUNA.COM/PEKKA](http://WWW.HELOSAUNA.COM/PEKKA)

CUCINELLI

BLANC

THE DAVIS CUP  
LABEL  
BASEL MIAMI BEACH



THE CARLYLE



# SAUNA-TONTTU

A collaboration between Helo and world-renowned designer Ristomatti Ratia, Saunatonnttu is the ultimate sauna heater.

## QUICK FACTS:

- Floor-standing for saunas 3 – 17 m<sup>3</sup>
- Sizes 3.4, 4.8, 6.4 or 8 kW
- Stones 100 kg
- Small safety distances, only 3 cm, can be integrated in to the benches
- Always ready (heat accumulating heater)

\*The guard rail shown in this picture is optional.



## Ready when you are

Incorporating several smart features and superb European design, Saunatonnttu is truly the “best sauna heater in the world”, bar none. Its secret is in its constant heat retention thanks to the large quantity of rocks within the super-insulated shell. This means soft, perfect heat is always available, letting you enjoy a sauna without preheating.





Its unique conical form and cool-touch top performing insulation system means Saunatonnttu can be positioned almost anywhere in the sauna – giving you more freedom in planning. 100 kg rock capacity stores and releases generous amounts of soft steam and intense heat evenly, ensuring genuine pleasure and relaxation with every session.



“Hard work during the week, rewarded with an ice hockey game and relaxation in the sauna at the weekend – that’s what it’s all about.”



#### **SUPER INSULATED HEATER**

Because Saunatonnttu is insulated it can store the heat generated by its low standby power (300 W). As a storage heater, Saunatonnttu makes it possible to have a sauna session whenever you prefer without prior planning or preheating the sauna.



#### **UNIQUE DESIGN**

Saunatonnttu is part of the RATIA collection, ensuring world-class design with the latest innovations and functionalities.

# RONDO

Rondo is a member of our heat-accumulating heater range. Its specially insulated shell stores heat generated in the 90 kg of rocks, making your sauna ready for genuine relaxation whenever you are.

**QUICK FACTS:**

- Floor-standing for saunas 5 – 18 m<sup>3</sup>
- Sizes 4.5, 6.5 or 9.6 kW
- Stones 90 kg
- 360° rotating cover makes it possible to integrate the heater in the middle of the sauna



## Convenient luxury

Rondo's unique design not only ensures the stable and controlled release of heat, it maximises convenience — making your sauna session even more of a pleasure. Its optimised insulation shell retains heat effectively, letting you enjoy saunas without pre-heating, while its cool-touch exterior makes it easy to position anywhere in the sauna with minimal safety distances.



The striking barrel shape makes an eye-catching centrepiece in your sauna, and radiates gentle, luxuriously even steam and heat in every direction. As a special added touch, its patented swivel lid gives you access to the stones in any position, making it easier to regulate your ideal temperature even while seated!



#### **ONE OF A KIND ACCESS**

No other heater can boast a 360 degree swivel lid — a true Helo innovation. Rondo's repositionable lid means you can, for instance, simply reach from where you're seated and open the heater without getting up — letting you effortlessly add a ladle of water any time the mood strikes you. This remarkable lid, like the rest of the heater, is guaranteed for years of dependable performance.

# TAIKA

Interested in conjuring up a unique-looking sauna that stands out from the crowd? The new Taika\* is the perfect addition to your stylish sauna cabin, giving it a magical touch and turning an ordinary experience into something enchanting.

\* Taika is the Finnish word for magic.

#### QUICK FACTS:

- Floor-standing for saunas 8 – 18 m<sup>3</sup>
- Sizes 8, 9.9 and 12 kW
- Stones 65 kg



## Pure magic!

The work of top Finnish designer Ristomatti Ratia, this sauna heater was inspired by the shape of a witch's pitch-black cauldron. The brew inside the cauldron consists of 65 kilos of sauna stones. Just add a sprinkling of water and enjoy the consistent and pleasantly soft steam emerging from the depths. The Taika heater is floor mounted. It is 77 cm tall



**UNIQUE DESIGN**

Taika is part of the RATIA collection, ensuring world-class design with the latest innovations and functionalities.



**SOFT STEAM EMERGING**

The brew inside the cauldron consists of 65 kilos of sauna stones. Just add a sprinkling of water and enjoy the consistent and pleasantly soft steam emerging from the depths.

and has an impressive diameter of 68 cm. To get the most out of this sauna heater – a design classic of the future – the sauna cabin should be fairly spacious.



**CONTROL\***

The Helo Smart digital control unit, specially designed for this top-of-the-range heater, allows you to operate the lighting and ventilation in the sauna cabin and has an energy-saving eco function.

\*Requires Contactor box WE II to function.

# ROCHER

Our high capacity Rocher sauna heater really makes a statement. Holding up to 100 kg of genuine Finnish sauna stones, Rocher radiates soft, even heat from top to base.

## QUICK FACTS:

- Floor-standing for saunas 5 – 15 m<sup>3</sup>
- Sizes 6.8 or 10.5 kW
- Stones 100 kg
- Chrome steel

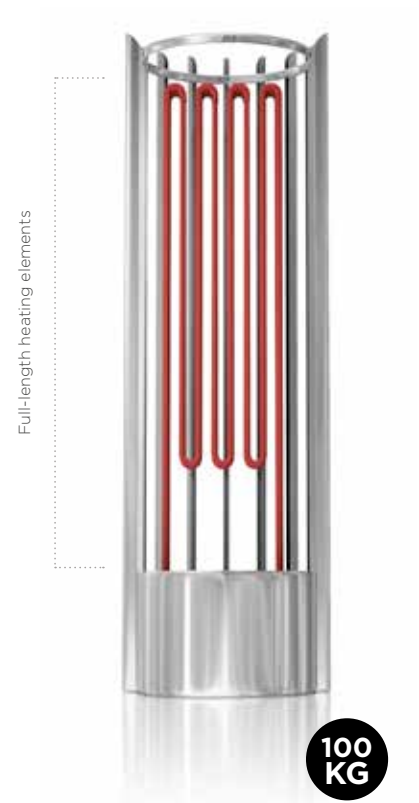


## 100 kg of pure comfort

Despite its handsome open basket design, Rocher can be installed in a corner, along a side wall or in the middle of the sauna. For an added design touch, you can also sink Rocher into a low-level bench and fit it with a glass, soapstone or chrome surround, all of which can be backlit to stunning effect.



Splash a ladle of water on its 100 kg of heating stones, and Rocher responds with a purity and soft intensity that is impossible to resist. The brushed steel brazier shell puts the stones in relief for an added dimension of genuine sauna pleasure.



#### **FULL-LENGTH HEATING ELEMENTS**

Rocher features longer heating elements than any other heater available. They are fully integrated into the 100 kg of stones, essentially heating every single rock. This ensures heat and steam radiates evenly and quickly throughout the sauna.

# PIKKU- TONTTU

Helo Pikkutonttu, a member of the Tonttu series, designed by renowned Finnish designer, Ristomatti Ratia, harmoniously combines form and function. The low surface temperature of the Helo Pikkutonttu makes it safe to use and the small safety distances open up new possibilities for designing the sauna interior.

#### QUICK FACTS:

- Floor-standing for saunas 3 - 14 m<sup>3</sup>
- Sizes 4.5, 6.5 or 9 kW
- Stones 80 kg



## Form meets function

Designed exclusively for corner installation, Pikkutonttu's stylised shell is insulated to keep its surface cool and protects against skin burns. At the same time, its 80 kg rock mass ensures incomparably luxurious billows of soft heat and steam. The super-insulated shell means heat-up time is similar to a traditional heater and the huge rock mass provides luxurious soft heat and soft steam.





#### **LOW SURFACE TEMPERATURE**

Perfect for the family, Pikkutonttu has a very low surface temperature, giving a minimal safety distance. This also gives you more interior design opportunities. The heater has a large heat storage capacity and produces a dense cloud of steam when water is poured on the rocks.



#### **UNIQUE DESIGN**

Pikkutonttu is part of the RATIA collection, ensuring world-class design with the latest innovations and functionalities.

# RINGO

Ringo is a handsome new sauna heater from Helo - high quality with a modest price-tag. Ringo heaters are designed for true sauna lovers.

#### QUICK FACTS:

- 3 different models
- Floor-standing for saunas 5 - 13 m<sup>3</sup>
- Sizes 6 or 8 kW
- Stones 70 kg



## Three's a charm

There are three stylishly different models in the Helo Ringo collection. Choose between the elegant, standard Ringo, the Ringo Vario with its special detachable panels and the eye-catching Ringo Robust. Ringo is easy to install and a pleasure to use. It is a floor-standing heater with adjustable feet to ensure it stands level. It is then secured to a wall



#### DESIGN INFLUENCES

The sturdy-looking Ringo Robust embodies design influences from a woodsman's log cabin and a traditional campfire. Around the heater are eight brushed chrome steel 'chopped wood' uprights, whose matt surface provides a pleasant contrast to the bright body of the heater.



#### DETACHABLE PANELS

The Ringo Vario's detachable panels, fixed to the body of the heater, are designed to guide the heat in the desired directions. The stylish panels with their special black coating also give the heater a uniquely attractive appearance.

or bench to ensure stability. The base panel incorporates the heater's clear and easy-to-use controls. The operation of the heater is controlled via a thermostat and a 12-hour timer, which includes a 9-hour preset function and a heating time of 0 - 3 hours.

## RING WALL

Ring Wall is an impressive natural stone heater, well suited for family-sized or even small domestic saunas.

### QUICK FACTS:

- Wall-mounted for saunas 4 - 13 m<sup>3</sup>
- Sizes 4.5, 6 or 8 kW
- Large rock compartment, 37 kg



## Small is beautiful... and practical

Despite its large stone capacity (37 kg) Ring Wall is installed against a wall and is therefore a real space-saver. Ring Wall is an excellent choice for everyone who appreciates practicality, classy design and the soft, pleasant steam of a natural stone heater. This heater delivers all the benefits, and yet requires less



than a half square metre of floor space – including safety clearances! Ring Wall heaters are suitable for saunas with a volume of 4 – 13 m<sup>3</sup> and with a minimum height of 190 cm.



#### **SMOOTH SOFT STEAM**

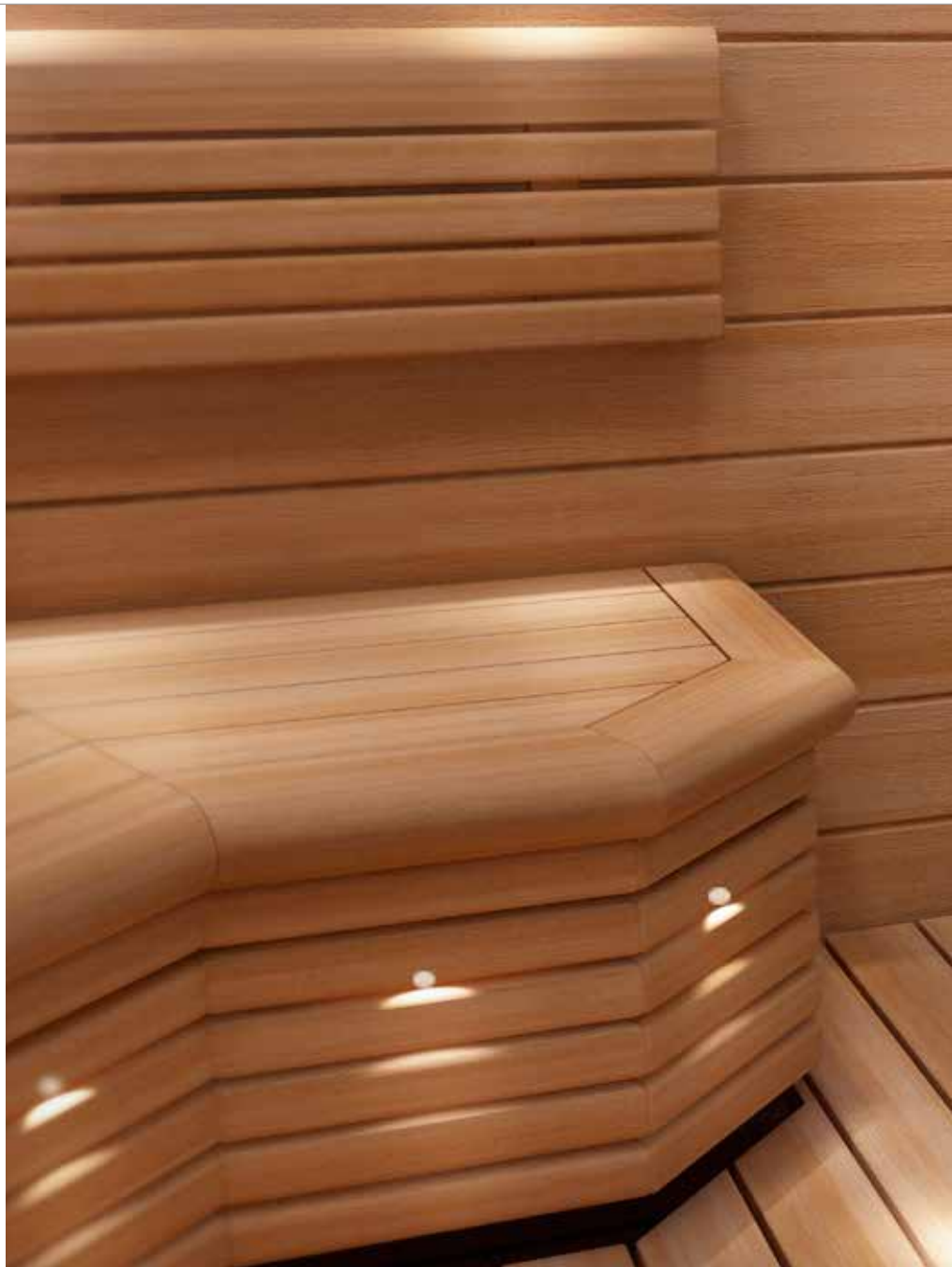
The Ring Wall stands out thanks to its open design, with the irregular natural stones and the geometric brushed steel housing complementing each other beautifully. And when a ladle of water is thrown onto the stones, the heater envelops you in pleasant soft steam.

# ROXX

Gentle steam, beautiful design. Roxx unites modern industrial design with a generous amount of natural stone.

**QUICK FACTS:**

- Floor-standing for saunas 5 - 13 m<sup>3</sup>
- Sizes 6 - 9 kW
- Stones 38 kg



## Full steam ahead

This impressive brushed steel design heater produces enjoyable gently heated steam - what the Finns call "löyly". Heat is stored efficiently in the stones, making Roxx a favourite for löyly lovers. When water is thrown onto the nearly 40 kilos of stones, it produces refreshing clouds of gentle steam.



**FREESTANDING OR INTEGRATED**

Roxx can be installed on the floor or integrated into the structure. Roxx stands on its own feet, adjustable to compensate for any unevenness on the sauna floor. For additional security, the heater is braced to the wall.

# SAGA ELECTRO

Helo Saga Electro is a spectacular new heater for large domestic saunas or for commercial use in hotels, health clubs, wellness centres and spas. Saga Electro heaters are suitable for saunas with a volume of 16 – 50 m<sup>3</sup>.

**QUICK FACTS:**

- Floor-standing for saunas 16 – 50 m<sup>3</sup>
- Sizes: 16, 20 or 24 kW
- Rocks 200 kg



## Pleasure and performance

The stylish steel casing holds an impressive 200 kg of sauna stones that radiate pleasurable, consistent heat in every direction. Due to the massive amount of stones and the open design the heater creates an incredibly enjoyable steam experience at a comfortable sauna temperature. Inspiring for interior design,





Helo Deco Seaside Sauna Interior designed by Esko Saarenoja.



The heater is used with digital touch control panel T2. The advanced control panel makes Saga Electro an excellent choice for commercial saunas. The T2 is equipped with a weekly timer and a standby setting that automatically reduces the sauna temperature by 20°C.

Saga Electro is an eye-catcher from any angle. It creates a mesmerising centrepiece for your sauna interior or you can even place the freestanding heater next to a glass wall.

# Something for everyone

Your choice of Helo electric sauna heater will depend in part on personal taste, and in part on the functional demands of your sauna cabin.

NEW

## VIENNA

The Vienna heater range is suitable for sauna rooms 3 – 12 m<sup>3</sup>. The stove is easy to install and pleasant to use – and as it is mounted on the wall, the heater takes up no floor space. You also get a choice of colours to match the design and ambience of your sauna room. The quantity of sauna rocks is 12 or 20 kg dependant on heater power. In the 6 kW model you can fine-tune the size of the stone compartment to your liking, for 12 or 20 kg of sauna stones. A smaller quantity of rocks will heat rapidly whereas a larger mass will caress you with soft, well-rounded steam. The heater has a built-in thermostat and a timer with 9 hours pre-heating time and 0 – 3 hours of running time.

Stone compartment adjustable to fit 20 or 28 kg of sauna stones depending on the size of the heater. Available in aqua blue, black and cool grey.



NEW

## HAVANNA

Helo Havanna is an innovative heater designed for domestic saunas. The Havanna heater range is suitable for sauna rooms 3 – 13 m<sup>3</sup>. One of its unique features is the three-level rock grate, adjustable to take 20, 28 or 35 kg of sauna stones. A smaller quantity of rocks heats rapidly and produces nice crisp steam; a larger mass will caress you with soft, well-rounded steam. Havanna has a built-in thermostat and a timer with 8 hours pre-heating time and 0 – 4 hours of running time. Both controls are clear, easy to use and easily accessible high up on the side panel. When installing, you can position the controls either on the right or left side without dismantling the heater. The heater is wall mounted, to optimise sauna room space, but can also be mounted on the floor with an optional floor stand. A handy dust collector installed beneath the heater is also a clever optional extra for your Havanna stove. Last but not least, Havanna is an eye-catcher. The stylish jet-black design, the carefully rounded corners and the steam wing on top add finesse and charm to its looks.

Three-level stone compartment, adjustable for 20, 28 or 35 kg of sauna stones. Optional extras: Floor stand for floor mounting, dust collector.



## MINI SA

Mini SA is purpose-designed for dependable, everyday sauna use. Yet Mini SA also holds a surprisingly large quantity of rocks (10 kg) for a heater of its size and class – offering true sauna pleasure. The built-in timer and thermostat also make this compact heater easy to use. Perfect heater for saunas from 2 – 4 m<sup>3</sup>.

Available in classic grey. 370 x 370 x 200 mm (wxhxd). Recommended amount of rocks 10 kg. Be sure to check safety distances on page 65.



---

## JUNIOR

Junior is a modern, slimline sauna heater for small saunas. The digital control panel is installed outside the sauna room and is easy to use. Junior's rock compartment takes 10 kg rocks, which ensures a good sauna bath. Colour is chrome. Junior is delivered with its own Digi RA 9 control unit. Digi RA 9 has 0 - 6 hours heating time, factory setting is 2 hours. Temperature can be adjusted between 50 - 123 °C, factory setting is 80 °C. Flush mounting, outside the sauna room.

Available in chrome. Recommended amount of rocks 10 kg. Be sure to check safety distances on page 66.



---

## CUP

Reliable and safe Cup sauna heaters are an excellent choice for a traditional Finnish type sauna. These compact wall-mounted heaters are designed for domestic small and mid-size sauna rooms. They are easy to assemble and easy to use with built-in timer and thermostat or with separate control unit. With the timer you can pre-select the time when you want the heater to be turned on, max. 9 hours beforehand. The running time is max 3 hours.

Available in chrome. Recommended amount of rocks 15 - 23 kg. Be sure to check safety distances on page 66.



---

## HIMALAYA

This new sauna heater conceals a water container featuring ingenious BWT technology, which humidifies the sauna cabin while the heater is warming the room. With Himalaya, even milder sauna temperatures of just 65-70 degrees Celsius are highly enjoyable and relaxing. And if you want, you can increase the sauna temperature - or simply throw water on the sauna stones for more heat. The attractive stove is 102 cm high with a width of 33 cm and comes in matt black or chrome. Himalaya can be installed on the floor next to a wall. Alternatively, you can integrate the heater into the benches using a glass, soapstone or steel collar. The steel collar is available in chrome or matt black to match the colour of the heater. Helo Himalaya is digitally controlled using Helo's new Trend controller. The stylish control unit can be installed inside the sauna cabin.

Suitable for saunas 5 - 15 m<sup>3</sup>. Recommended amount of rocks 100 kg. Be sure to check safety distances on page 67.



**NEW**

---

## KLIMA VITA

The Klima Vita is a basic combination heater with simple digital control unit for controlling temperature, time and humidity in a sauna. Available with manually filled water tank.

Available in chrome. Recommended amount of rocks 23 kg. Be sure to check safety distances on page 67.

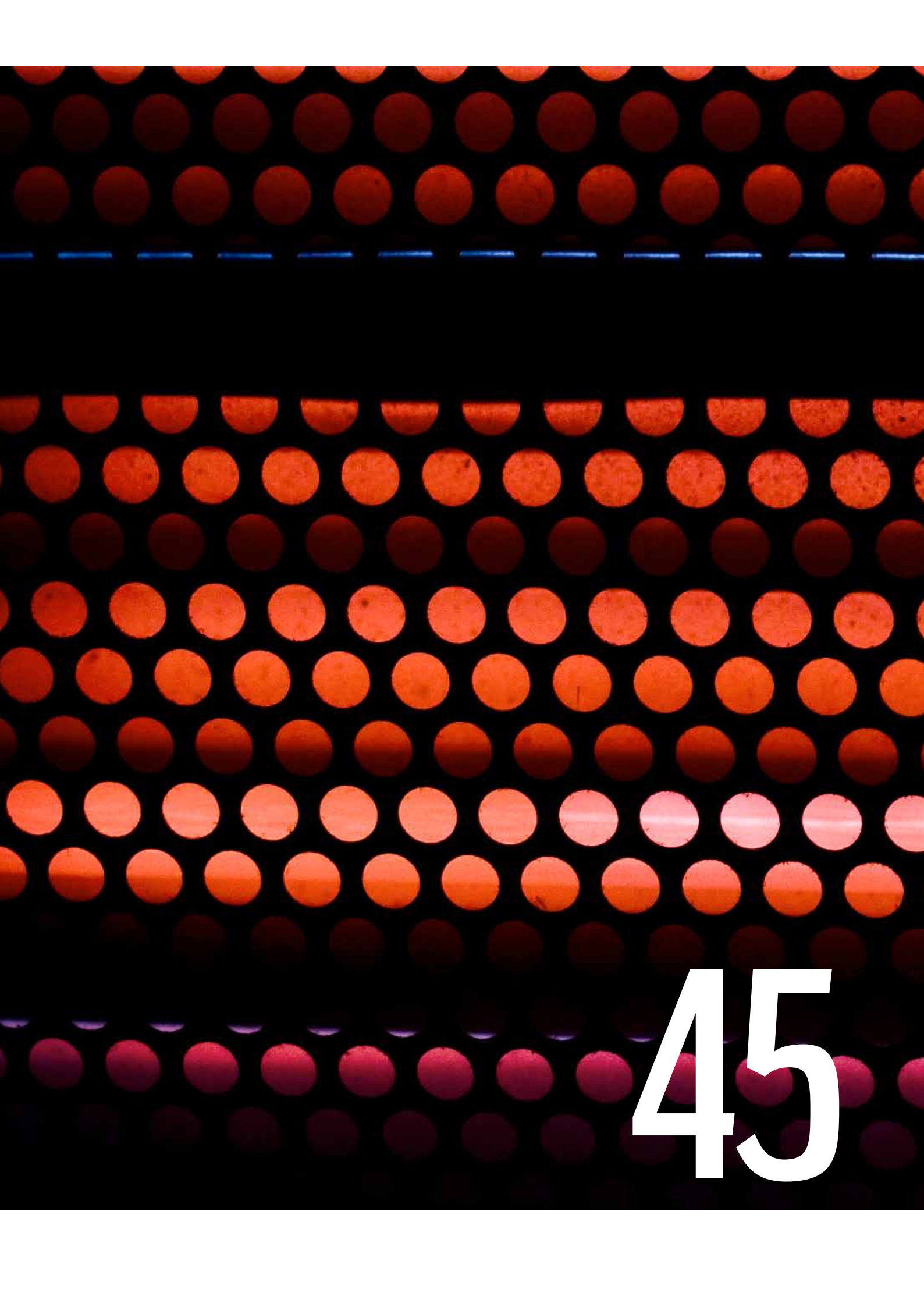


# professional heaters

Happy guests come back. It's the golden rule of the leisure and hospitality industries, and a key to success for professional sports venues. Helo has decades of experience in supplying the genuine sauna and steam experience to professional industries. With our line of professional electric heaters, we can help you create an inviting, relaxing environment that adds real value and generates positive word of mouth and returns for your facility. And you can always count on dependable advice for finding the exact right heater solution for your professional sauna needs.

#### **ALL OUR PROFESSIONAL HEATERS ARE:**

- Quality engineered for problem-free performance and easy maintenance — specifically for the needs of professional or commercial sauna rooms.
- An investment that can pay for itself by adding value to your facilities and ensuring customer satisfaction and returns.
- Proven performance, SKLE has been the industry standard for more than 25 years.
- Cost-effective energy use without compromising climate quality.
- Available with a choice of intuitive control systems — easy to learn and use.



45

# LAAVA

The freestanding Laava heater is designed for large, commercial sauna rooms, Laava heaters are robust, easy to maintain and their 60 kg of stones create an attractively soothing sauna climate.

**QUICK FACTS:**

- Floor-standing for saunas 8 – 24 m<sup>3</sup>
- Sizes 9, 10.5, 12 or 15 kW
- Stones 60 kg



## Built to last

Laava's separate control unit makes instant regulation of the heater's high capabilities very easy.

Graphite, 540 x 715 x 500 mm (wxhxd), Recommended amount of rocks 60 kg. Be sure to check safety distances on page 68.



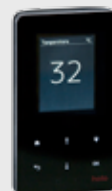
### CONTROL UNITS

Laava heaters are available with your choice of T2 with contactor box WE 14, Digi I or Digi II with contactor box WE 4. T2 has the ability to pre-program the heating of your sauna up to a week in advance. Digi I and Digi II offer preset time control, making it easier and more cost-effective to keep the sauna fully heated during its busiest periods and on standby during less frequent use.

The control has keys for temperature adjustment, light and fan operation. Digi II offers a choice of 5 different language options (Finnish, Swedish, English, German and Dutch) and it is possible to preset 4 individual bathing programmes. Control units are flush or surface-mounted outside the sauna room.

If you prefer, you can also choose from a selection of easy-to-use analogue control units for your Laava or Magma heater:

**Laava:** OK 33 PS-3 or OK 33 PUi with week timer EK 5 P.



T2



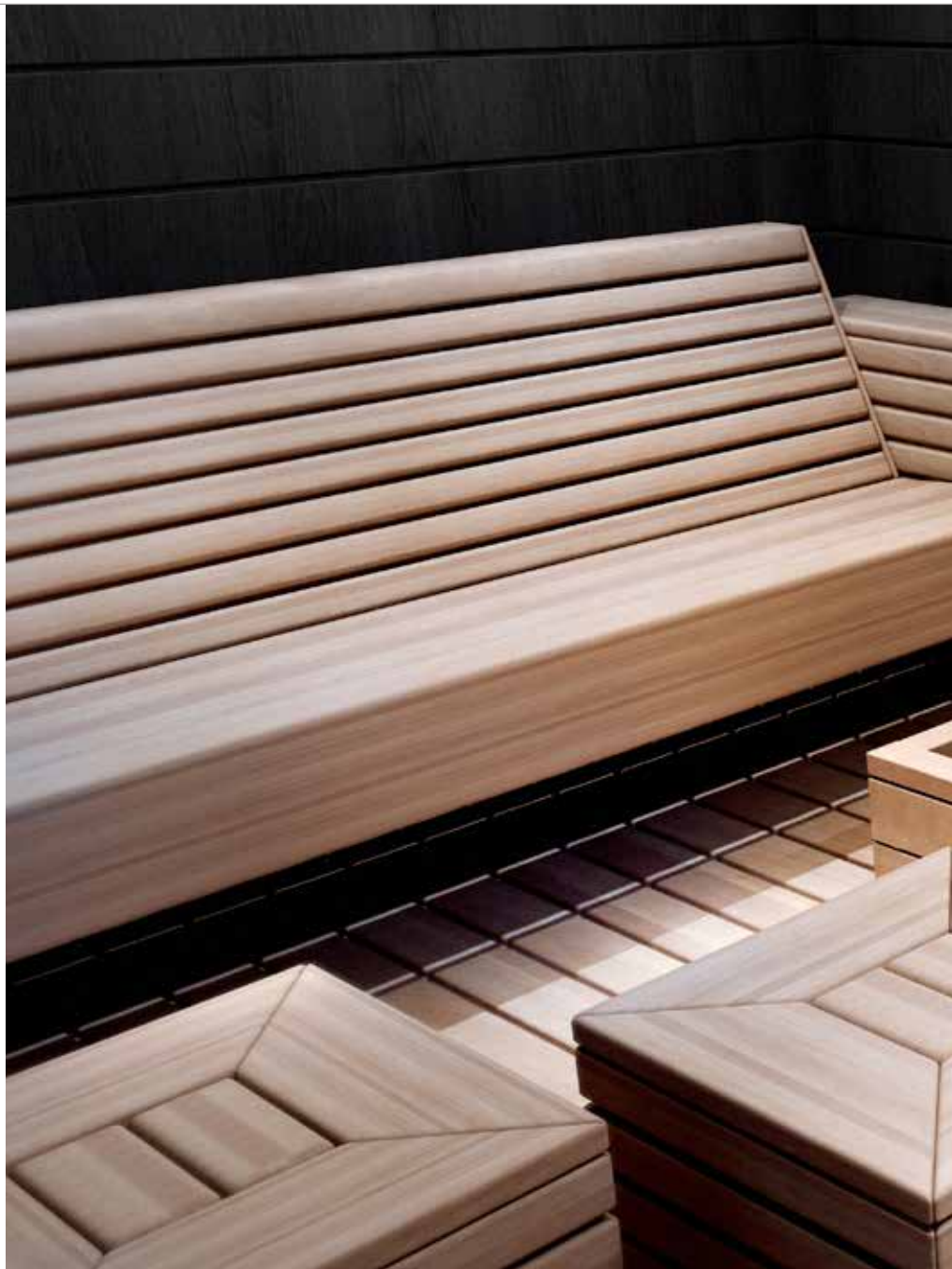
Digi I



Digi II

# MAGMA

Magma is specially engineered for larger commercial saunas that require durable, powerful and cost-efficient heaters — without compromising on the rich steam and soothing sauna atmosphere.



## QUICK FACTS:

- Floor-standing for saunas 18 - 46 m<sup>3</sup>
- Sizes 18, 21 or 26 kW
- Stones 120 kg



Magma

## Sized to suit your needs

Available in a variety of models to suit different business needs, Magma heaters also offer a choice of traditional and digital control systems. All Magma heaters accommodate 120 kg of rocks, ensuring a truly ideal sauna climate for guests.

Graphite-coloured, 900 x 715 x 520 mm (wxhxd). Holds a full 120 kg of stones. Be sure to check safety distances on page 68.





Helo Deco Seaside Sauna Interior designed by Esko Saarenoja.



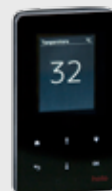
## CONTROL UNITS

Magma heaters are available with your choice of T2 with contactor box WE 14, Digi I or Digi II with contactor box WE 5. T2 has the ability to pre-program the heating of your sauna up to a week in advance. Digi I and Digi II offer preset time control, making it easier and more cost-effective to keep the sauna fully heated during its busiest periods and on standby during less frequent use.

The control has keys for temperature adjustment, light and fan operation. Digi II offers a choice of 5 different language options (Finnish, Swedish, English, German and Dutch) and it is possible to preset 4 individual bathing programmes. Control units are flush or surface-mounted outside the sauna room.

If you prefer, you can also choose from a selection of easy-to-use analogue control units for your Laava or Magma heater:

**Magma:** OT 22 PS-3/WE 1 or OT 22 PUj/WE 1 with week timer EK 5 P.



T2



Digi I



Digi II

# SKLE & SKLA

The large SKLE and SKLA heaters have been an industry standard for public premises for more than 25 years and are suitable for saunas from 8 – 46 m<sup>3</sup>.

SKLE and SKLA can be controlled with Digi I or Digi II with contactor box (SKLE - WE 4 and SKLA - WE 5) or T2 with contactor box WE 14. If you prefer, you can also use analogue control units SKLE: OK 33 PS-3 or OK 33 PUi with week timer EK 5 P.  
SKLE: OT 22 PS-3/WE 1 or OT 22 Pui/WE 1 with week timer EK 5 P.



#### QUICK FACTS:

- Floor-standing for saunas 8 - 46
- SKLE: Sizes 9, 10.5, 12 or 15 kW
- SKLA: Size 18, 21 or 26 kW
- Stones 60 kg for SKLE and 120 kg for SKLA heater



## Setting the standard

Designed for commercial sauna rooms, Helo SKLE and SKLA heaters are robust, easy to maintain and with a generous quantity of rocks that create an attractively soothing sauna climate.

Available in chrome. Recommended amount of rocks: 60 kg for SKLE and 120 kg for SKLA heater. Be sure to check safety distances on page 69.

## When flexibility is key

The Octa heater is based on traditional technology. This heater is ideal for saunas of all shapes, and can even be placed in the middle of a sauna. Stately in appearance, Octa heaters are suitable for saunas from 8 – 24 m<sup>3</sup>.

Colour: chrome. Recommended amount of rocks 60 kg. Be sure to check safety distances on page 70. Available with your choice of Digi I or Digi II control panels with WE 4 contactor box or T2 control panel with WE 14 contactor box.

### QUICK FACTS:

- Floor-standing for saunas 8 – 24 m<sup>3</sup>
- Sizes 9, 10.5, 12 or 15 kW
- Stones 60 kg



## The deluxe experience

Seidankivi is the ideal choice for exclusive commercial or club saunas. Featuring state-of-art technology and features behind its stylish soapstone cover, Seidankivi fills the sauna with indulgent billows of soft, gentle heat and even waves of steam. A one-of-a-kind experience, Seidankivi will ensure your guests are still talking about the genuine sauna experience you provided long after they've left.

Available with your choice of Digi I or Digi II control panels with WE 4 contactor box. 630 x 810 x 630 mm (wxhxd). Recommended amount of rocks 60 kg. Be sure to check safety distances on page 70.

## SEIDANKIVI

### QUICK FACTS:

- Floor-standing for saunas 8 – 24
- Sizes 9, 10.5, 12 or 15 kW
- Stones 60 kg



# Control units

Managing the temperature, timing and comfort features of your sauna should be as relaxing as the bath itself. Depending on the option you choose, HELO sauna control units make it easy to regulate the climate, pre-heat the cabin so it's ready when you are or just soften the lighting — all with a few simple taps on the touchpad.

## T1 & T2



These new control panels are designed to control the heater or steam bath - and they are good looking too. They are equipped with touch-control and show temperature and time in operating mode. They are also equipped with a switch for lighting, easy control of temperature, switch between Fahrenheit/Celsius, 12 h/24 h format, multiple language and other more advanced settings and test options. T2 control panel has additional functions such as the facility to pre-program the heating of your sauna up to 23 hours in advance.

Size: 80 x 140 x 22 mm (wxhxd)

**Compatible with heaters:**

T1: ROXX, CAVA, ROCHER AND FONDA (DET MODELS ONLY).

T2: LAAVA, MAGMA, SKLE, SKLA OCTA, SEIDANKIVI AND FONDA DUO.

## EC50



The EC50 control panel makes it simple and economical to have complete control of your sauna. The panel blends discretely and elegantly into your bathroom with its clean, no-frills design.

It has an easy-to-read display for convenient control of the start-up time, temperature and lighting. The panel can be set for 0 - 3 hours of heating time. You can also set a countdown between 0 - 10 hours for the heater to start. The panel incorporates a child-proof code lock to prevent accidental operation. The EC50 with its practical features is a smart choice for anyone who wants precise control of their sauna - at an affordable price. Size: 180 x 115 x 25 mm (wxhxd)

**Compatible with heaters:**

ROXX, CAVA, ROCHER AND FONDA (DET MODELS ONLY).

Helo Easy is the latest innovation in sauna control units. The fixed heating time is max. 6 hours with 5-step “+” and “-” temperature adjustment. Helo Easy can be flush or surface-mounted outside the sauna room and can be used with a low voltage connection for sauna heaters such as Cava and Pikkutonttu. Size 70 x 70 x 30 mm (wxhxd). Delivery includes 3 different frames.

**Compatible with heaters:**

ROXX, CAVA, ROCHER AND PIKKUTONTTU (DE MODELS ONLY).

## EASY



The Helo Midi control unit offers the extra convenience of being installed inside the sauna room\*. Preset time is 0 - 23 hours and heating time 0 - 6 hours. You can control the temperature and the display shows you both the set temperature and the actual temperature. The sauna light can also be operated via Helo Midi. Helo Midi is available in 2 different frame colours: white and chrome.

Size: 56 x 186 x 15 mm (wxhxd)

**Compatible with heaters:**

ROXX, CAVA, ROCHER AND PIKKUTONTTU (DE MODELS ONLY).

## MIDI



Digi I is a simple but smart solution that gives you most basic comfort functions at the touch of a button. Digi I lets you pre-heat your sauna any time within a 24 hour period, ensuring a relaxing and refreshing climate is ready when you are, without having to wait. The digital touchpad is also your control for temperature, lighting and the fan. Digi I is designed for wall or flush mounting outside the sauna. Size: 138 x 173 x 34 (wxhxd)

**Compatible with heaters:**

ROXX, CAVA, ROCHER AND PIKKUTONTTU (DE MODELS ONLY).

OCTA - with WE 4, LAAVA, - with WE 4, SKLE - with WE 4, SEIDANKIVI - with WE 4, MAGMA - with WE 5, SKLA - with WE 5.

## DIGI I



The Helo Digi II control panel can be adapted for home sauna heaters such as Cava and Pikkutonttu, or for commercial type heaters such as SKLE, Octa and Seidankivi. With preheating timings from 0 - 24 hours, set heating time of 0 - 6 hours, and one-touch preset bathing programmes, Digi II gives you maximum flexibility in managing comfort. You'll also find keys for temperature adjustment, light and fan operation, and the high-visibility LCD display provides information in your choice of 5 languages (Finnish, Swedish, English, German and Dutch). Flush or surface-mounted outside the sauna, Helo Digi II has an overall size of 138 x 173 x 34 mm (wxhxd).

**Compatible with heaters:**

ROXX, CAVA, ROCHER AND PIKKUTONTTU (DE MODELS ONLY).

OCTA - with WE 4, LAAVA - with WE 4, SKLE - with WE 4, SEIDANKIVI - with WE 4, MAGMA - with WE 5, SKLA - with WE 5.

## DIGI II



VAL D'ISÈRE  
WOOD BURNING SAUNA  
DIY



JEEP V  
RAYBAN

PATAGONIA



MEET  
DANIEL



# My life. Making it happen.

CONVERSE



SATURDAY SURF NYC  
WWF



K2 BIKES  
VANCOUVER ISLAND

"If I had to sum up my life in just three words, they would probably be: harder, better, faster. I'm a go-getter and my true passion in life is to make things happen - whether it's in business or in my leisure time. 'Make things happen' is my motto. The Kastor Karhu sauna is all I need to relax, refresh and revitalise. I'm once again ready for the next challenge."

FOLLOW DANIEL'S BLOG AT [WWW.HELOSAUNA.COM/DANIEL](http://WWW.HELOSAUNA.COM/DANIEL)

VRANGLER

TREKKING  
RECYCLING



**For lovers of wood burning sauna heaters**

Daniel's own sauna heater is a wood burning variant that is part of Helo's Kastor collection. This line is highly recommended for sauna bathers who are looking for a close-to-nature sauna experience, with flickering flames and the scent of burning wood.

**KASTOR** |



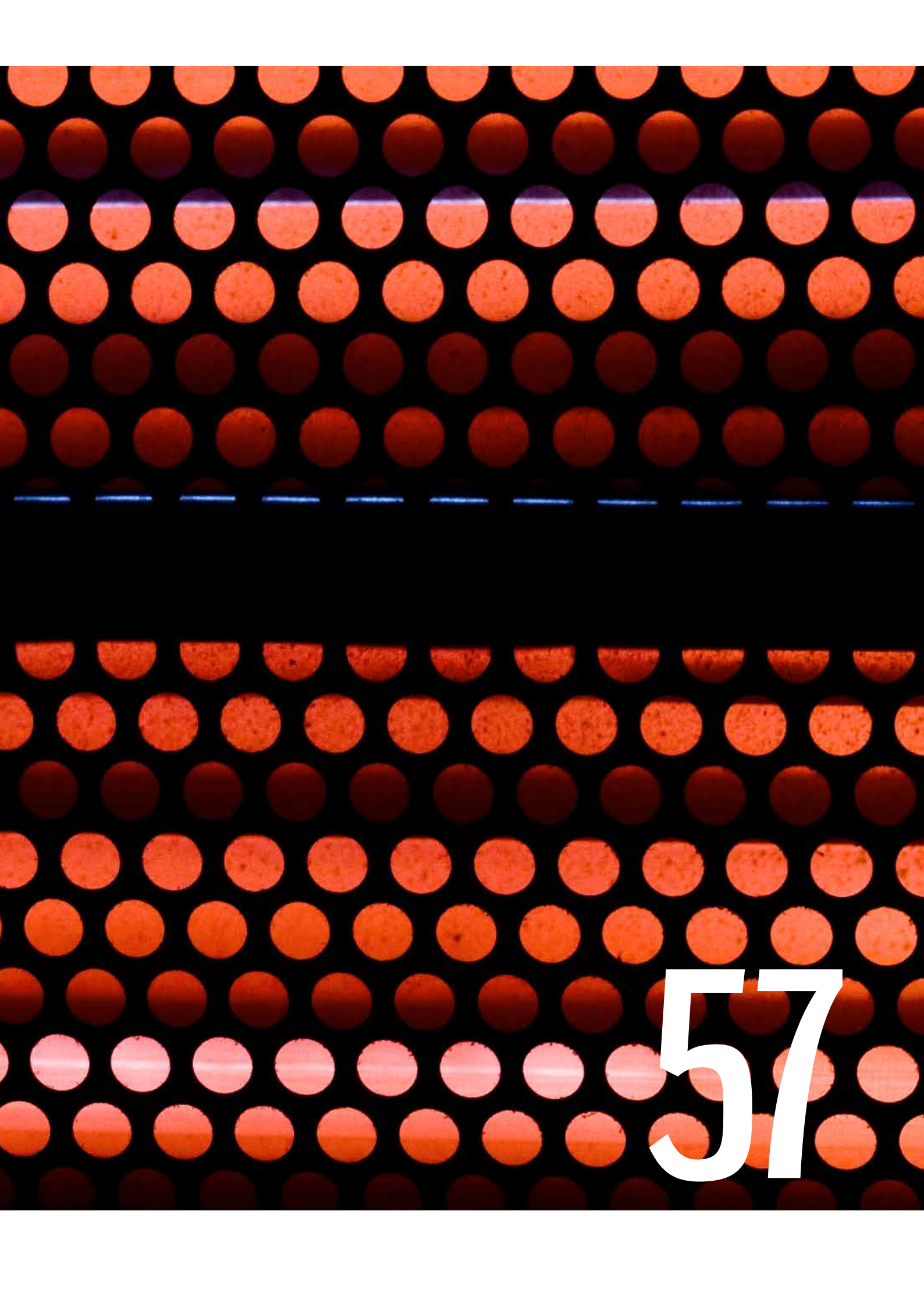
Follow your fire

For more information on the entire wood burning sauna collection, request a copy of the catalogue at your nearest dealer.

# technical specifications

On the following pages, all of our heaters' technical specifications are shown. If you need any additional help or have questions, please contact your local Helo dealer or visit our website at [www.helosauna.com](http://www.helosauna.com).





57

# Fonda DET & Fonda ST

## TECHNICAL SPECIFICATIONS

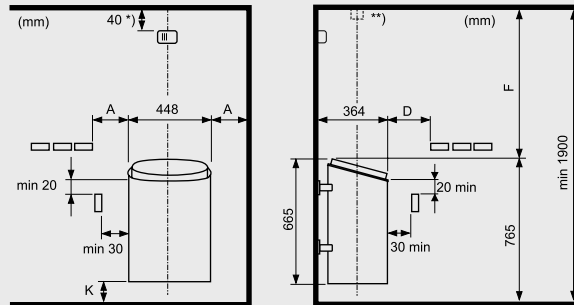
HEATER	HEATING POWER (kW)	SAUNA SIZE (m <sup>3</sup> )	STONE VOLUME (kg)	DIM. (WXHXD) (MM)	CONTROL UNIT OPTIONS	MOUNTING
Fonda DET/ST 4.4	4.4	4 - 6	20	448 x 665 x 364	2/Built in*	Wall/floor
Fonda DET/ST 6.6	6.6	5 - 9	20	448 x 665 x 364	2/Built in*	Wall/floor
Fonda DET/ST 8.0	8.0	8 - 12	20	448 x 665 x 364	2/Built in*	Wall/floor

**Extras:** Legs may be ordered separately.

**\*Controls:** Fonda DET uses the T1 or EC50 control units. Fonda ST has built-in control.

## SAFETY DISTANCES

HEATER	SIDE A-MEASURE (MM)	FRONT D-MEASURE (MM)	BACK (MM)	ABOVE F-MEASURE (MM)	BELOW K-MEASURE (MM)
Fonda DET/ST 4.4	50	50	-	1135	100
Fonda DET/ST 6.6	50	50	-	1135	100
Fonda DET/ST 8.0	50	50	-	1135	100



# Fonda Duo

## TECHNICAL SPECIFICATIONS

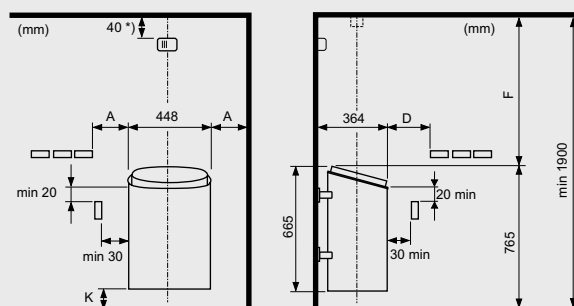
HEATER	HEATING POWER (kW)	SAUNA SIZE (m <sup>3</sup> )	STONE VOLUME (kg)	DIM. (WXHXD) (MM)	CONTROL UNIT OPTIONS	MOUNTING
Fonda Duo 4.4	4.4	4 - 6	20	448 x 665 x 364	1*	Wall/floor
Fonda Duo 6.6	6.6	5 - 9	20	448 x 665 x 364	1*	Wall/floor
Fonda Duo 8.0	8.0	8 - 12	20	448 x 665 x 364	1*	Wall/floor

**Extras:** Legs may be ordered separately.

**\*Controls:** T2 included with the heater.

## SAFETY DISTANCES

HEATER	SIDE A-MEASURE (MM)	FRONT D-MEASURE (MM)	BACK (MM)	ABOVE F-MEASURE (MM)	BELOW K-MEASURE (MM)
Fonda Duo 4.4	50	50	-	1135	100
Fonda Duo 6.6	50	50	-	1135	100
Fonda Duo 8.0	50	50	-	1135	100



# Cava

## TECHNICAL SPECIFICATIONS

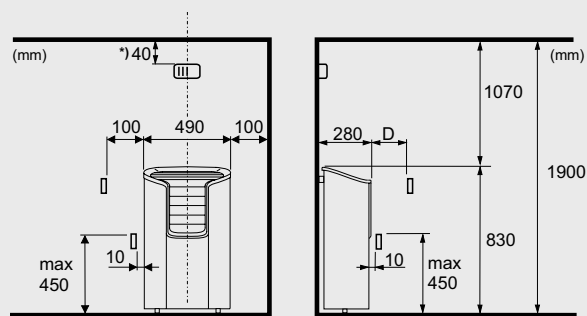
HEATER	HEATING POWER (kW)	SAUNA SIZE (m <sup>3</sup> )	STONE VOLUME (kg)	DIM. (WXHXD) (MM)	CONTROL UNIT OPTIONS	MOUNTING
60 DE/DET	6.0	5 - 10	30 + 15	490 x 830 x 280	4/2*	Floor/Bench
90 DE/DET	9.0	9 - 13	30 + 15	490 x 830 x 280	4/2*	Floor/Bench

**Extras:** Soapstone collar.

**\*Controls:** Model DE: Easy, Midi, Digi I, Digi II. Model DET: T1, EC50.

## SAFETY DISTANCES

HEATER	SIDE (MM)	FRONT D-MEASURE (MM)	BACK (MM)	ABOVE (MM)	BELOW (MM)
60 DE/DET	100	300	-	1070	-
90 DE/DET	100	350	-	1070	-



# Fusion

## TECHNICAL SPECIFICATIONS

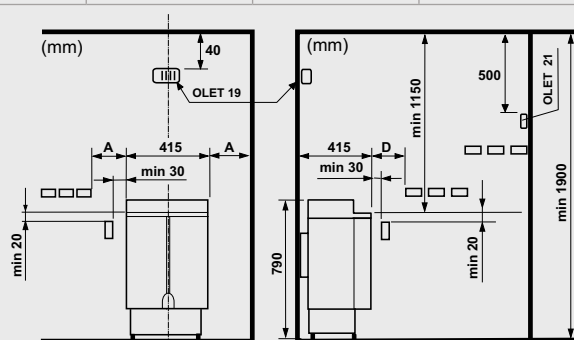
HEATER	HEATING POWER (kW)	SAUNA SIZE (m <sup>3</sup> )	STONE VOLUME (kg)	DIM. (WXHXD) (MM)	CONTROL UNIT OPTIONS	MOUNTING
Fusion 60	6.0	5 - 9	23	415 x 790 x 415	1*	Floor/Bench
Fusion 80	8.0	8 - 12	23	415 x 790 x 415	1*	Floor/Bench
Fusion 90	9.0	9 - 13	23	415 x 790 x 415	1*	Floor/Bench

**Extras:** Kit for auto-filling of the tank.

**\*Controls:** Included with the heater.

## SAFETY DISTANCES

HEATER	SIDE A-MEASURE (MM)	FRONT D-MEASURE (MM)	BACK (MM)	ABOVE (MM)	BELOW (MM)
Fusion 60	70	100	-	1150	-
Fusion 80	100	150	-	1150	-
Fusion 90	100	150	-	1150	-



# Saunatonnttu

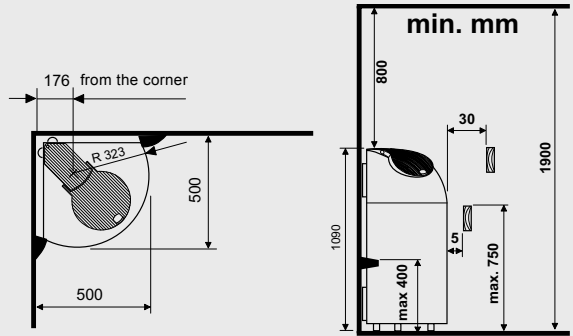
## TECHNICAL SPECIFICATIONS

HEATER	HEATING POWER (kW)	SAUNA SIZE (m <sup>3</sup> )	STONE VOLUME (kg)	Dim. (WxHxD) (MM)	CONTROL UNIT OPTIONS	MOUNTING
Saunatonnttu 3	3.4	3 - 8	100	500 x 1090 x 500	1*	Floor/Bench
Saunatonnttu 4	4.8	5 - 11	100	500 x 1090 x 500	1*	Floor/Bench
Saunatonnttu 6	6.4	7 - 14	100	500 x 1090 x 500	1*	Floor/Bench
Saunatonnttu 8	8.0	9 - 17	100	500 x 1090 x 500	1*	Floor/Bench

\*Controls: Included with the heater.

## SAFETY DISTANCES

HEATER	SIDE (MM)	FRONT (MM)	BACK (MM)	ABOVE (MM)	BELOW (MM)
Saunatonnttu 3	30	30	-	800	-
Saunatonnttu 4	30	30	-	800	-
Saunatonnttu 6	30	30	-	800	-
Saunatonnttu 8	30	30	-	800	-



# Rondo

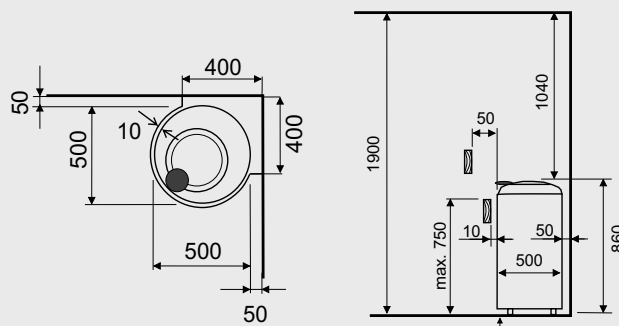
## TECHNICAL SPECIFICATIONS

HEATER	HEATING POWER (kW)	SAUNA SIZE (m <sup>3</sup> )	STONE VOLUME (kg)	Dim. (WxHxD) (MM)	CONTROL UNIT OPTIONS	MOUNTING
Rondo 450	4.5	5 - 8	90	500 x 860 x 500	1*	Floor/Bench
Rondo 650	6.5	7 - 13	90	500 x 860 x 500	1*	Floor/Bench
Rondo 960	9.6	10 - 18	90	500 x 860 x 500	1*	Floor/Bench

\*Controls: Included with the heater.

## SAFETY DISTANCES

HEATER	SIDE (MM)	FRONT (MM)	BACK (MM)	ABOVE (MM)	BELOW (MM)
Rondo 450	10	10	50	1040	-
Rondo 650	10	10	50	1040	-
Rondo 960	10	10	50	1040	-



# Taika

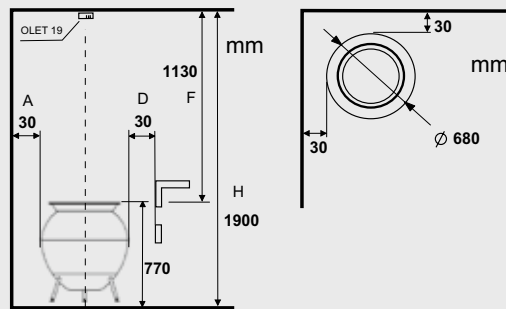
## TECHNICAL SPECIFICATIONS

HEATER	HEATING POWER (kW)	SAUNA SIZE (m <sup>3</sup> )	STONE VOLUME (kg)	Dim. (WxHxD) (MM)	CONTROL UNIT OPTIONS	MOUNTING
Taika 80	8.0	8 - 13	65	680 x 770 x 680	1*	Floor
Taika 100	9.9	9 - 15	65	680 x 770 x 680	1*	Floor
Taika 120	12.0	10 - 18	65	680 x 770 x 680	1*	Floor

\*Controls: Smart with WE 11 contactor box.

## SAFETY DISTANCES

HEATER	SIDE (MM)	FRONT (MM)	BACK (MM)	ABOVE (MM)	BELOW (MM)
Taika 80	30	30	30	1130	-
Taika 100	30	30	30	1130	-
Taika 120	30	30	30	1130	-



# Rocher

## TECHNICAL SPECIFICATIONS

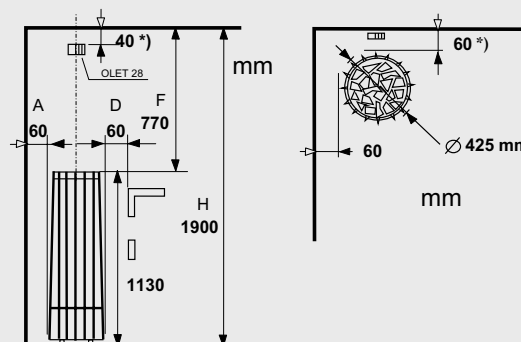
HEATER	HEATING POWER (kW)	SAUNA SIZE (m <sup>3</sup> )	STONE VOLUME (kg)	Dim. (WxHxD) (MM)	CONTROL UNIT OPTIONS	MOUNTING
70 D/DE/DET	6.8	5 - 9	100	425 x 1130 x 425	4/4/2*	Floor/Bench
105 D/DE/DET	10.5	9 - 15	100	425 x 1130 x 425	4/4/2*	Floor/Bench

Extras: Soapstone collar, glass collar (satin) and chrome collar.

\*Controls: Models D/DE: Easy, Midi, Digi I, Digi II. Model DET: T1, EC50.

## SAFETY DISTANCES

HEATER	SIDE (MM)	FRONT (MM)	BACK (MM)	ABOVE (MM)	BELOW (MM)
70 D/DE/DET	60	60	60	770	-
105 D/DE/DET	60	60	60	770	-



# Pikkutonnttu

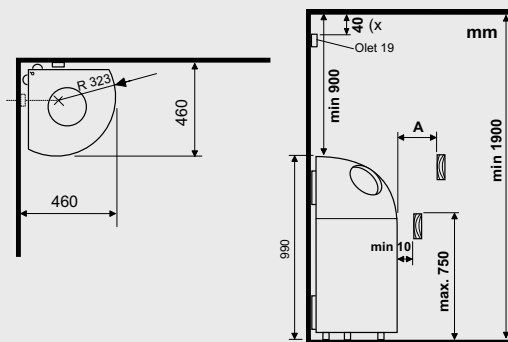
## TECHNICAL SPECIFICATIONS

HEATER	HEATING POWER (kW)	SAUNA SIZE (m <sup>3</sup> )	STONE VOLUME (kg)	Dim. (WxHxD) (MM)	CONTROL UNIT OPTIONS	MOUNTING
45 DE	4.5	3 - 6	80	460 x 990 x 460	4*	Floor/Bench
65 DE	6.5	5 - 10	80	460 x 990 x 460	4*	Floor/Bench
90 DE	9.0	9 - 14	80	460 x 990 x 460	4*	Floor/Bench

\*Controls: Easy, Midi, Digi I, Digi II.

## SAFETY DISTANCES

HEATER	SIDE A-MEASURE (MM)	FRONT A-MEASURE (MM)	BACK (MM)	ABOVE (MM)	BELOW (MM)
45 D/DE	40	40	-	900	-
65 D/DE	150	150	-	900	-
90 D/DE	150	150	-	900	-



# Ringo

## TECHNICAL SPECIFICATIONS

HEATER	HEATING POWER (kW)	SAUNA SIZE (m <sup>3</sup> )	STONE VOLUME (kg)	Dim. (WxHxD) (MM)	CONTROL UNIT OPTIONS	MOUNTING
RINGO 60 STJ	6	5 - 9	70	365 x 750 x 365	*Built in	Floor
RINGO 80 STJ	8	8 - 13	70	365 x 750 x 365	*Built in	Floor
RINGO VARIO 60 STJ	6	5 - 9	70	405 x 750 x 405	*Built in	Floor
RINGO VARIO 80 STJ	8	8 - 13	70	405 x 750 x 405	*Built in	Floor
RINGO ROBUST 60 STJ	6	5 - 9	70	397 x 755 x 397	*Built in	Floor
RINGO ROBUST 80 STJ	8	8 - 13	70	397 x 755 x 397	*Built in	Floor

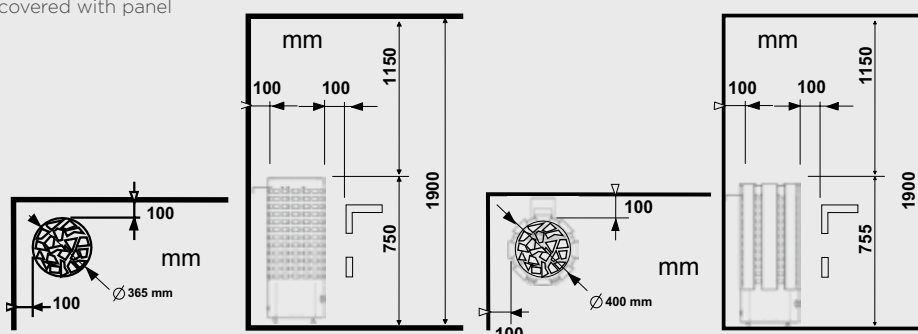
\*Controls: Built-in control.

## SAFETY DISTANCES

HEATER	SIDE (MM)	FRONT (MM)	BACK (MM)	ABOVE (MM)	BELOW (MM)
RINGO 60 STJ	100	100	100	1150	-
RINGO 80 STJ	100	100	100	1150	-
RINGO VARIO 60 STJ	100/30**	100/30**	100/30**	1150	-
RINGO VARIO 80 STJ	100/30**	100/30**	100/30**	1150	-
RINGO ROBUST 60 STJ	100	100	100	1150	-
RINGO ROBUST 80 STJ	100	100	100	1150	-



\*\* 30 mm where covered with panel



# Ring Wall

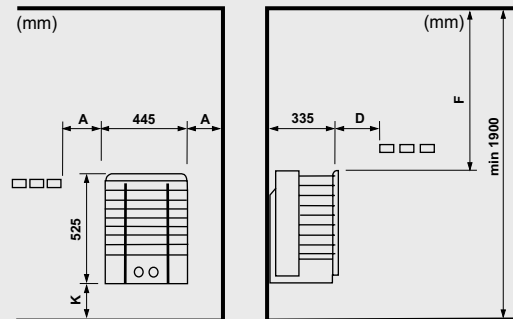
## TECHNICAL SPECIFICATIONS

HEATER	HEATING POWER (kW)	SAUNA SIZE (m <sup>3</sup> )	STONE VOLUME (kg)	Dim. (WxHxD) (MM)	CONTROL UNIT OPTIONS	MOUNTING
Ring Wall 45 D/STJ	4.5	4 - 6	37	445 x 525 x 335	4/Built in*	Wall
Ring Wall 60 D/STJ	6.0	5 - 9	37	445 x 525 x 335	4/Built in*	Wall
Ring Wall 80 D/STJ	8.0	8 - 13	37	445 x 525 x 335	4/Built in*	Wall

\*Controls: Models D: Easy, Midi, Digi I or Digi II with separate contactor box. Models STJ: built-in control.

## SAFETY DISTANCES

HEATER	SIDE A-MEASURE (MM)	FRONT D-MEASURE (MM)	BACK (MM)	ABOVE F-MEASURE (MM)	BELOW K-MEASURE (MM)
Ring Wall 45 D/STJ	50	50	-	1200	120
Ring Wall 60 D/STJ	70	70	-	1250	120
Ring Wall 80 D/STJ	100	100	-	1250	120



# Roxx

## TECHNICAL SPECIFICATIONS

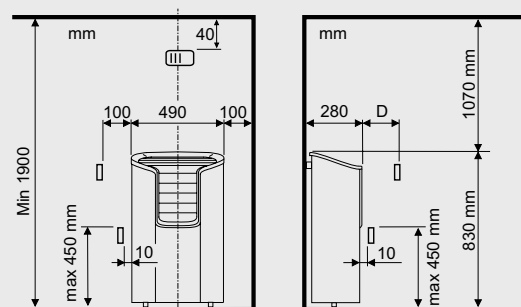
HEATER	HEATING POWER (kW)	SAUNA SIZE (m <sup>3</sup> )	STONE VOLUME (kg)	Dim. (WxHxD) (MM)	CONTROL UNIT OPTIONS	MOUNTING
60 DE/DET	6.0	5 - 10	38	490 x 830 x 280	4/2*	Floor/Bench
90 DE/DET	9.0	9 - 13	38	490 x 830 x 280	4/2*	Floor/Bench

Extras: Soapstone collar.

\*Controls: Model DE: Easy, Midi, Digi I, Digi II. Model DET: T1, EC50.

## SAFETY DISTANCES

HEATER	SIDE (MM)	FRONT D-MEASURE (MM)	BACK (MM)	ABOVE (MM)	BELOW (MM)
60 DE/DET	100	300	-	1070	-
90 DE/DET	100	350	-	1070	-



# Saga Electro

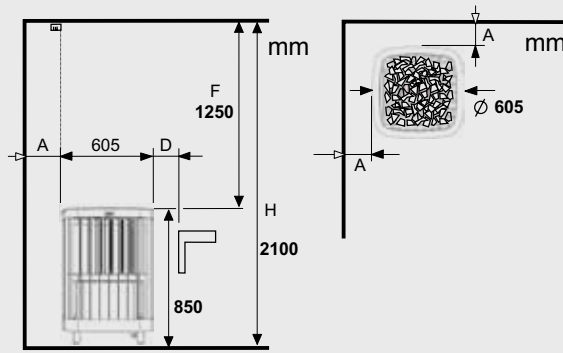
## TECHNICAL SPECIFICATIONS

HEATER	HEATING POWER (kW)	SAUNA SIZE (m <sup>3</sup> )	STONE VOLUME (kg)	Dim. (WxHxD) (MM)	CONTROL UNIT OPTIONS	MOUNTING
SAGA E 160 D	16	16 - 30	200	605 x 850 x 605	1*	Floor/Bench
SAGA E 200 D	20	20 - 40	200	605 x 850 x 605	1*	Floor/Bench
SAGA E 240 D	24	24 - 50	200	605 x 850 x 605	1*	Floor/Bench

\*Controls: T2 with contactor box We 14.

## SAFETY DISTANCES

HEATER	SIDE A-MEASURE (MM)	FRONT D-MEASURE (MM)	BACK A-MEASURE (MM)	ABOVE (MM)	BELOW (MM)
SAGA E 160 D	100	100	100	1250	-
SAGA E 200 D	100	100	100	1250	-
SAGA E 240 D	150	150	150	1250	-



# Vienna

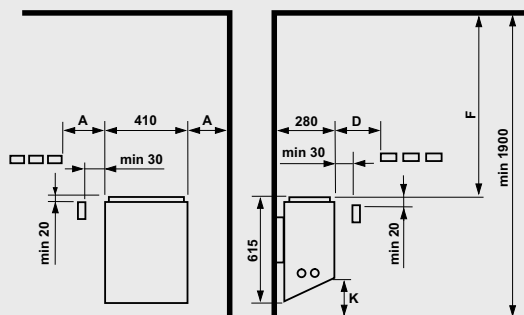
## TECHNICAL SPECIFICATIONS

HEATER	HEATING POWER (kW)	SAUNA SIZE (m <sup>3</sup> )	STONE VOLUME (kg)	Dim. (WxHxD) (MM)	CONTROL UNIT OPTIONS	MOUNTING
HELO VIENNA 45 STS	4.5	3 - 6	12	410 x 615 x 280	*Built in	Wall
HELO VIENNA 60 STS	6.0	5 - 9	12/20	410 x 615 x 280	*Built in	Wall
HELO VIENNA 80 STS	8.0	8 - 12	20	410 x 615 x 280	*Built in	Wall

\*Controls: Built-in control unit

## SAFETY DISTANCES

HEATER	SIDE A-MEASURE (MM)	FRONT D-MEASURE (MM)	BACK (MM)	ABOVE F-MEASURE (MM)	BELOW K-MEASURE (MM)
HELO VIENNA 45 STS	40	60	-	1200	110
HELO VIENNA 60 STS	60	80	-	1200	110
HELO VIENNA 80 STS	80	100	-	1200	110





# Havanna

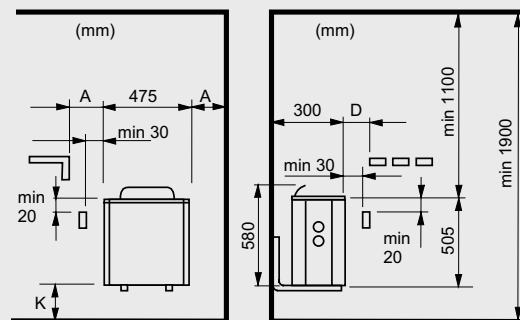
## TECHNICAL SPECIFICATIONS

HEATER	HEATING POWER (kW)	SAUNA SIZE (m <sup>3</sup> )	STONE VOLUME (kg)	Dim. (WxHxD) (MM)	CONTROL UNIT OPTIONS	MOUNTING
Havanna 45 STS	4.5	3 - 6	20/28	475 x 580 x 300	*Built in	Wall
Havanna 60 STS	6.0	5 - 9	20/28/35	475 x 580 x 300	*Built in	Wall
Havanna 80 STS	8.0	8 - 12	20/28/35	475 x 580 x 300	*Built in	Wall
Havanna 90 STS	9.0	9 - 13	20/28/35	475 x 580 x 300	*Built in	Wall

\*Controls: Built-in control unit

## SAFETY DISTANCES

HEATER	SIDE A-MEASURE (MM)	FRONT D-MEASURE (MM)	BACK (MM)	ABOVE (MM)	BELOW K-MEASURE (MM)
Havanna 45 STS	40	80	-	1100	120
Havanna 60 STS	45	100	-	1100	120
Havanna 80 STS	75	130	-	1100	150
Havanna 90 STS	80	150	-	1100	150



# Mini SA

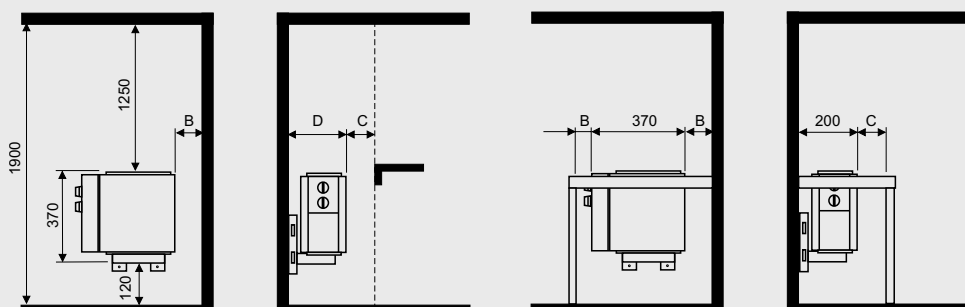
## TECHNICAL SPECIFICATIONS

HEATER	HEATING POWER (kW)	SAUNA SIZE (m <sup>3</sup> )	STONE VOLUME (kg)	Dim. (WxHxD) (MM)	CONTROL UNIT OPTIONS	MOUNTING
Mini SA 30 T	3.0	2 - 4	10	370 x 370 x 200	Built in*	Wall

\*Controls: Built-in control unit.

## SAFETY DISTANCES

HEATER	SIDE B-MEASURE (MM)	FRONT C-MEASURE (MM)	BACK D-MEASURE (MM)	ABOVE (MM)	BELOW K-MEASURE (MM)
Mini SA 30 T	30	60	200	1250	120



# Junior

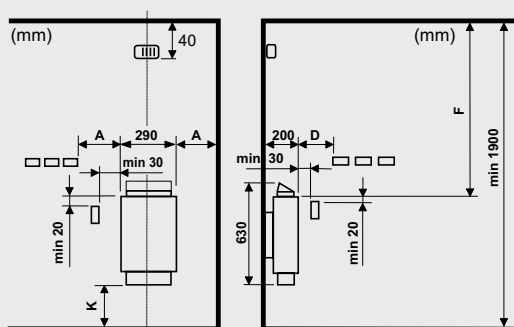
## TECHNICAL SPECIFICATIONS

HEATER	HEATING POWER (kW)	SAUNA SIZE (m <sup>3</sup> )	STONE VOLUME (kg)	Dim. (WxHxD) (MM)	CONTROL UNIT OPTIONS	MOUNTING
Junior 30	3.0	2 - 4	10	290 x 630 x 200	1*	Wall

\*Controls: Included with the heater.

## SAFETY DISTANCES

HEATER	SIDE A-MEASURE (MM)	FRONT D-MEASURE (MM)	BACK (MM)	ABOVE F-MEASURE (MM)	BELOW K-MEASURE (MM)
Junior 30	50	120	-	1200	120



# Cup

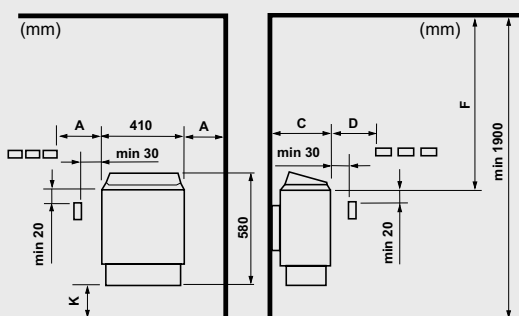
## TECHNICAL SPECIFICATIONS

HEATER	HEATING POWER (kW)	SAUNA SIZE (m <sup>3</sup> )	STONE VOLUME (kg)	Dim. (WxHxD) (MM)	CONTROL UNIT OPTIONS	MOUNTING
Cup 45 D/STJ	4.5	3 - 6	15	410 x 580 x 280	3/built in*	Wall
Cup 60 D/STJ	6.0	5 - 9	23	410 x 580 x 280	3/built in*	Wall
Cup 80 D/STJ	8.0	8 - 13	23	410 x 580 x 300	3/built in*	Wall
Cup 90 D/STJ	9.0	9 - 14	23	410 x 580 x 300	3/built in*	Wall

\*Controls: Models D: OT 2 PS-1 (1-phase), OT 2 PS-3 (3-phase) and OT 2 PLE. Models STJ: built-in control.

## SAFETY DISTANCES

HEATER	SIDE A-MEASURE (MM)	FRONT D-MEASURE (MM)	BACK (MM)	ABOVE F-MEASURE (MM)	BELOW K-MEASURE (MM)
Cup 45 D/STJ	50	80	-	1200	120
Cup 60 D/STJ	70	100	-	1250	120
Cup 80 D/STJ	100	150	-	1250	120
Cup 90 D/STJ	100	200	-	1250	120



# Himalaya

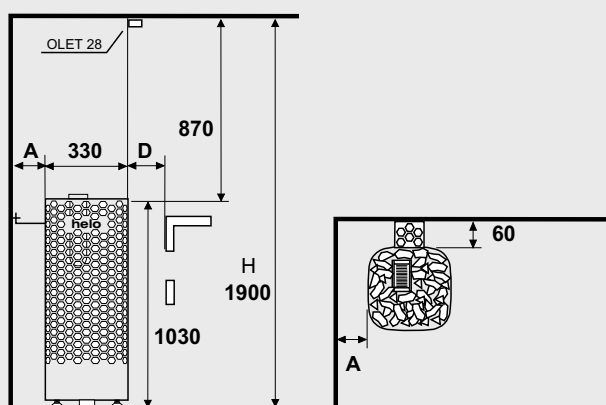
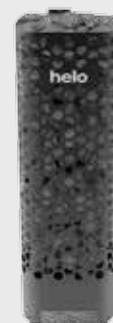
## TECHNICAL SPECIFICATIONS

HEATER	HEATING POWER (kW)	SAUNA SIZE (m <sup>3</sup> )	STONE VOLUME (kg)	Dim. (WxHxD) (MM)	CONTROL UNIT OPTIONS	MOUNTING
HIMALAYA 70 DES	6,8	5 - 9	100	330 x 1020 x 330	1*	Floor/Bench
HIMALAYA 105 DES	10,5	9 - 15	100	330 x 1020 x 330	1*	Floor/Bench

\*Controls: Trend control unit included with the heater.

## SAFETY DISTANCES

HEATER	SIDE A-MEASURE (MM)	FRONT D-MEASURE (MM)	BACK (MM)	ABOVE (MM)	BELOW K-MEASURE (MM)
HIMALAYA 70 DES	60	60	60	880	-
HIMALAYA 105 DES	60	60	60	880	-



# Klima Vita

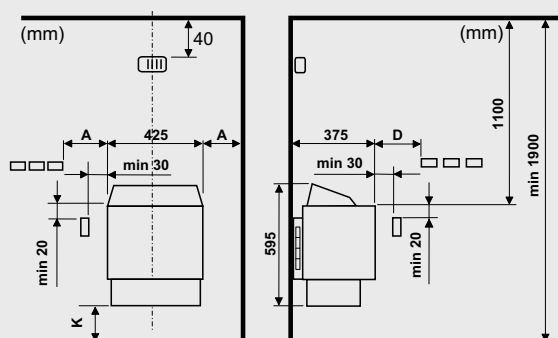
## TECHNICAL SPECIFICATIONS

HEATER	HEATING POWER (kW)	SAUNA SIZE (m <sup>3</sup> )	STONE VOLUME (kg)	Dim. (WxHxD) (MM)	CONTROL UNIT OPTIONS	MOUNTING
Klima Vita 60	6.0	5 - 9	23	425 x 595 x 375	1*	Wall
Klima Vita 80	8.0	7 - 12	23	425 x 595 x 375	1*	Wall
Klima Vita 90	9.0	8 - 13	23	425 x 595 x 375	1*	Wall

\*Controls: OT 2 PLD.

## SAFETY DISTANCES

HEATER	SIDE A-MEASURE (MM)	FRONT D-MEASURE (MM)	BACK (MM)	ABOVE (MM)	BELOW K-MEASURE (MM)
Klima Vita 60	60	100	-	1100	180
Klima Vita 80	120	180	-	1100	180
Klima Vita 90	120	180	-	1100	180



# Laava

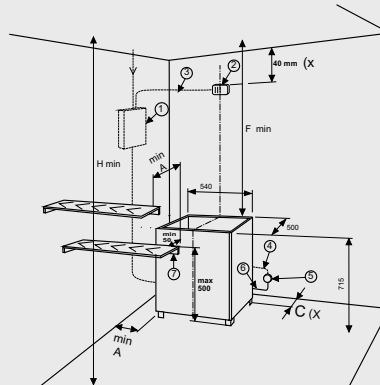
## TECHNICAL SPECIFICATIONS

HEATER	HEATING POWER (kW)	SAUNA SIZE (m <sup>3</sup> )	STONE VOLUME (kg)	Dim. (WxHxD) (MM)	CONTROL UNIT OPTIONS	MOUNTING
901	9.0	8 - 13	60	540 x 715 x 500	5*	Floor
1051	10.5	9 - 15	60	540 x 715 x 500	5*	Floor
1201	12.0	10 - 18	60	540 x 715 x 500	5*	Floor
1501	15.0	14 - 24	60	540 x 715 x 500	5*	Floor

\*Controls: Digi I or Digi II with contactor box WE 4. T2 with contactor box WE 14. OK 33 PS-3. OK 33 PUi with week timer EK 5 P

## SAFETY DISTANCES

HEATER	SIDE A-MEASURE (MM)	FRONT A-MEASURE (MM)	BACK C-MEASURE (MM)	ABOVE F-MEASURE (MM)	BELOW (MM)
901	80	80	110	1200	-
1051	80	80	110	1200	-
1201	120	120	120	1400	-
1501	120	120	120	1400	-



(X = The specified measurement is an absolute requirement, no deviation allowed)

# Magma

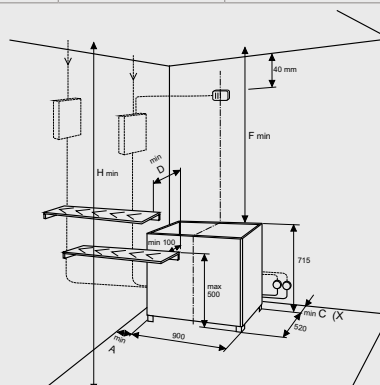
## TECHNICAL SPECIFICATIONS

HEATER	HEATING POWER (kW)	SAUNA SIZE (m <sup>3</sup> )	STONE VOLUME (kg)	Dim. (WxHxD) (MM)	CONTROL UNIT OPTIONS	MOUNTING
MAGMA 181	18.0	18 - 30	120	900 x 715 x 520	5*	Floor
MAGMA 210	21.0	24 - 36	120	900 x 715 x 520	5*	Floor
MAGMA 260	26.0	30 - 46	120	900 x 715 x 520	5*	Floor

\*Controls: Digi I or Digi II with contactor box WE 5. T2 with contactor box WE 14. OT 22 PS-3 with contactor box WE 1. OT 22 PUi with contactor box WE1 and week timer EK 5 P.

## SAFETY DISTANCES

HEATER	SIDE A-MEASURE (MM)	FRONT D-MEASURE (MM)	BACK C-MEASURE (MM)	ABOVE F-MEASURE (MM)	BELOW (MM)
MAGMA 181	140	160	160	1400	-
MAGMA 210	140	160	160	1400	-
MAGMA 260	140	160	160	1500	-



(X = The specified measurement is an absolute requirement, no deviation allowed)

# SKLE

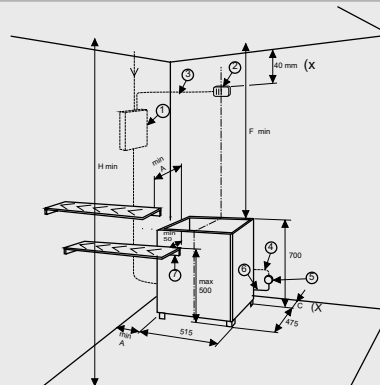
## TECHNICAL SPECIFICATIONS

HEATER	HEATING POWER (kW)	SAUNA SIZE (m <sup>3</sup> )	STONE VOLUME (kg)	Dim. (WxHxD) (MM)	CONTROL UNIT OPTIONS	MOUNTING
SKLE 90	9.0	8 - 13	60	510 x 700 x 475	5*	Floor
SKLE 105	10.5	9 - 15	60	510 x 700 x 475	5*	Floor
SKLE 120	12.0	10 - 18	60	510 x 700 x 475	5*	Floor
SKLE 150	15.0	14 - 24	60	510 x 700 x 475	5*	Floor

\*Controls: Digi I or Digi II with contactor box WE 4. T2 with contactor box WE 14. OK 33 PS-3. OK 33 PUi with week timer EK 5 P.

## SAFETY DISTANCES

HEATER	SIDE A-MEASURE (MM)	FRONT A-MEASURE (MM)	BACK C-MEASURE (MM)	ABOVE F-MEASURE (MM)	BELOW (MM)
SKLE 90	80	80	110	1200	-
SKLE 105	80	80	110	1200	-
SKLE 120	120	120	120	1400	-
SKLE 150	120	120	120	1400	-



(X = The specified measurement is an absolute requirement, no deviation allowed)

# SKLA

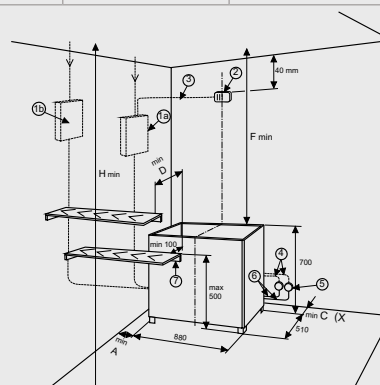
## TECHNICAL SPECIFICATIONS

HEATER	HEATING POWER (kW)	SAUNA SIZE (m <sup>3</sup> )	STONE VOLUME (kg)	Dim. (WxHxD) (MM)	CONTROL UNIT OPTIONS	MOUNTING
SKLA 181	18.0	18 - 30	120	880 x 700 x 510	5*	Floor
SKLA 210	21.0	24 - 26	120	880 x 700 x 510	5*	Floor
SKLA 260	26.0	30 - 46	120	895 x 700 x 520	3*	Floor
SKLA 262	26.0	30 - 46	120	880 x 700 x 510	2*	Floor

\*Controls: Digi I or Digi II with contactor box WE 5. T2 with contactor box WE 14. OT 22 PS-3 with contactor box WE 1. OT 22 PUi with contactor box WE1 and week timer EK 5 P.

## SAFETY DISTANCES

HEATER	SIDE A-MEASURE (MM)	FRONT D-MEASURE (MM)	BACK C-MEASURE (MM)	ABOVE F-MEASURE (MM)	BELOW (MM)
SKLA 181	140	160	160	1400	-
SKLA 210	140	160	160	1400	-
SKLA 260/262	140	160	160	1500	-



(X = The specified measurement is an absolute requirement, no deviation allowed)

# Octa

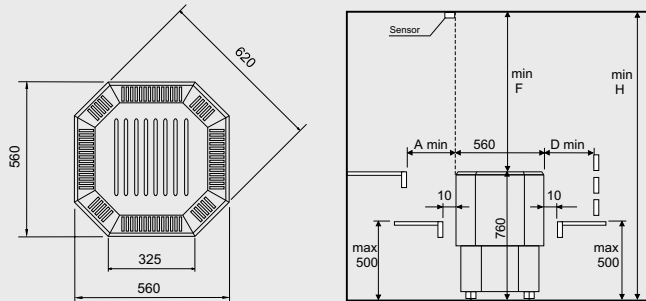
## TECHNICAL SPECIFICATIONS

HEATER	HEATING POWER (kW)	SAUNA SIZE (m <sup>3</sup> )	STONE VOLUME (kg)	Dim. (WxHxD) (MM)	CONTROL UNIT OPTIONS	MOUNTING
Octa 901	9	8 - 13	60	560 x 760 x 560	3*	Floor
Octa 1051	10.5	9 - 15	60	560 x 760 x 560	3*	Floor
Octa 1201	12.0	10 - 18	60	560 x 760 x 560	3*	Floor
Octa 1501	15.0	14 - 24	60	560 x 760 x 560	3*	Floor

\*Controls: Digi I or Digi II with contactor box WE 4. T2 with contactor box WE 14.

## SAFETY DISTANCES

HEATER	SIDE A-MEASURE (MM)	FRONT D-MEASURE (MM)	BACK (MM)	ABOVE F-MEASURE (MM)	BELOW (MM)
Octa 901	25	25	25	1150	-
Octa 1051	25	25	25	1150	-
Octa 1201	65	65	65	1350	-
Octa 1501	65	65	65	1350	-



# Seidankivi

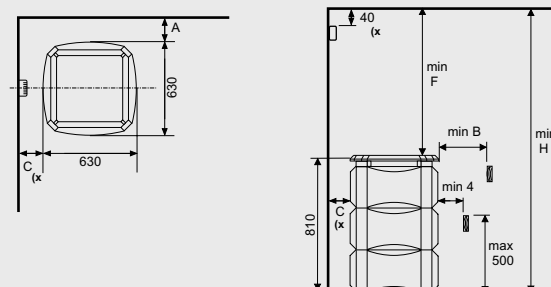
## TECHNICAL SPECIFICATIONS

HEATER	HEATING POWER (kW)	SAUNA SIZE (m <sup>3</sup> )	STONE VOLUME (kg)	Dim. (WxHxD) (MM)	CONTROL UNIT OPTIONS	MOUNTING
SEITA 902	9.0	8 - 13	60	630 x 810 x 630	2*	Floor
SEITA 1052	10.5	9 - 15	60	630 x 810 x 630	2*	Floor
SEITA 1202	12.0	10 - 18	60	630 x 810 x 630	2*	Floor
SEITA 1502	15.0	14 - 24	60	630 x 810 x 630	2*	Floor

\*Controls: Digi I or Digi II with contactor box WE 4. T2 with contactor box WE 14.

## SAFETY DISTANCES

HEATER	SIDE A-MEASURE (MM)	FRONT B-MEASURE (MM)	BACK C-MEASURE (MM) ABSOLUTE	ABOVE F-MEASURE (MM)	BELOW (MM)
SEITA 902	40	40	40	1090	-
SEITA 1052	40	40	40	1090	-
SEITA 1202	40	65	40	1290	-
SEITA 1502	40	65	40	1290	-





**helo**  
REWARD YOURSELF